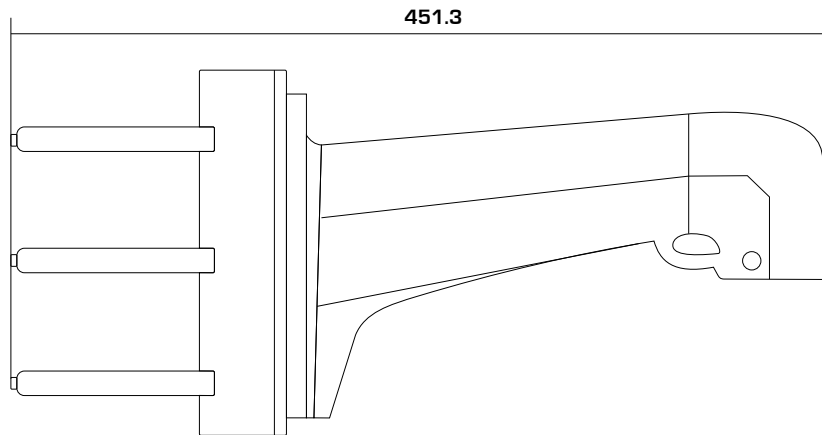


DS-1602ZJ/POLE



DS-1602ZJ/POLE

SPEC	
Parameters	Wall mount
Colour	Hik White
Feature	Suitable for PTZ camera
Material	Aluminum Alloy
Dimension	117 x 194 x 451.3mm
Weight	2040g



unit: mm

